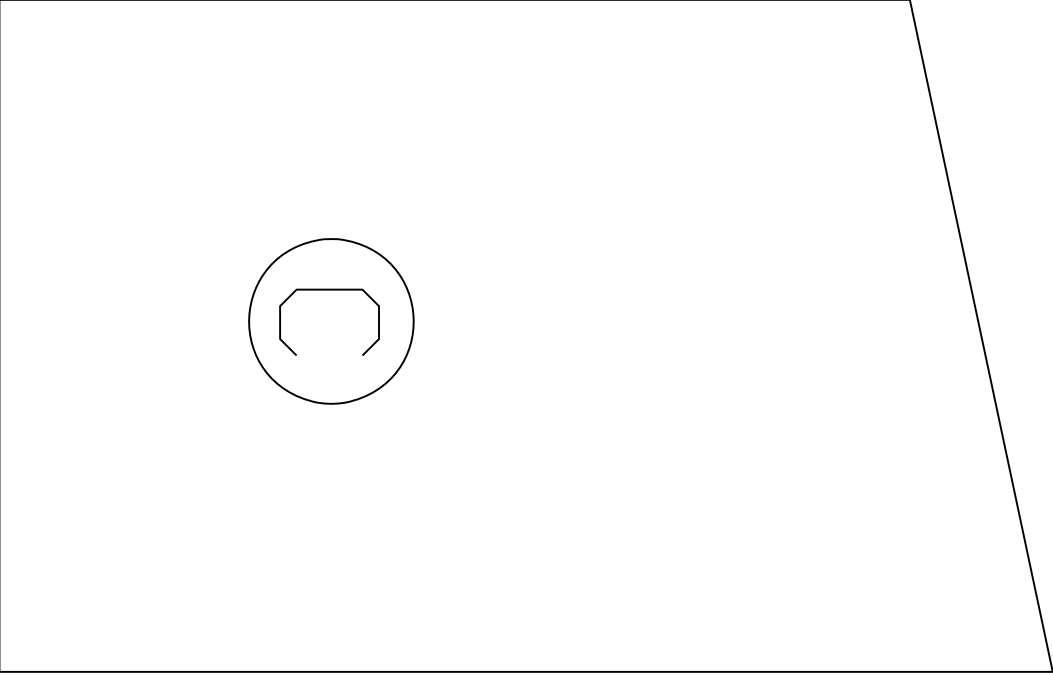


REVISIONS

ZONE	REV	DESCRIPTION: Copy Right Free Plans	DATE: 3/21/09	APPROVED: Bruce
------	-----	------------------------------------	---------------	-----------------

dovetailed post
horizontal arm
support



Traditional Woodworking.org

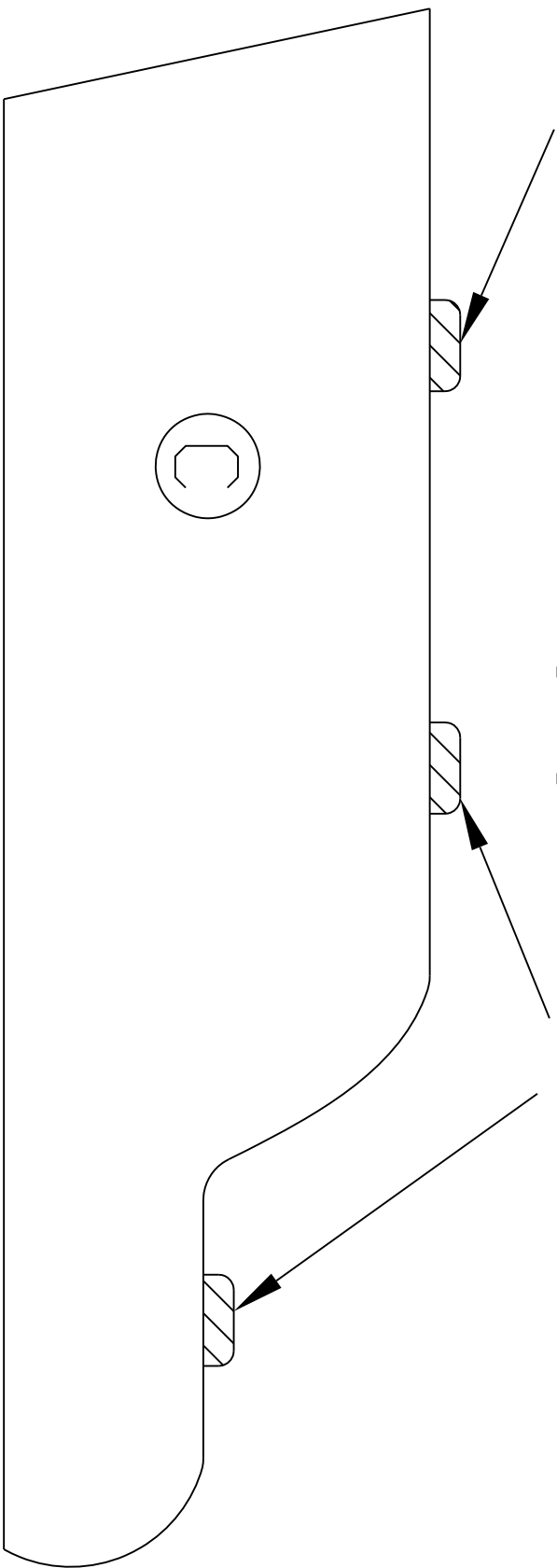
Post Horizontal Arm Support

SIZE	FSCM NO.	DWG NO.	REV
A	N/A		

REVISIONS

ZONE	REV	DESCRIPTION	DATE	APPROVED
		Copy Right Free Plans	3/21/09	Bruce

3/4" dowels used to plug lag bolt holes



dovetailed horizontal arm plugged lag bolt positions

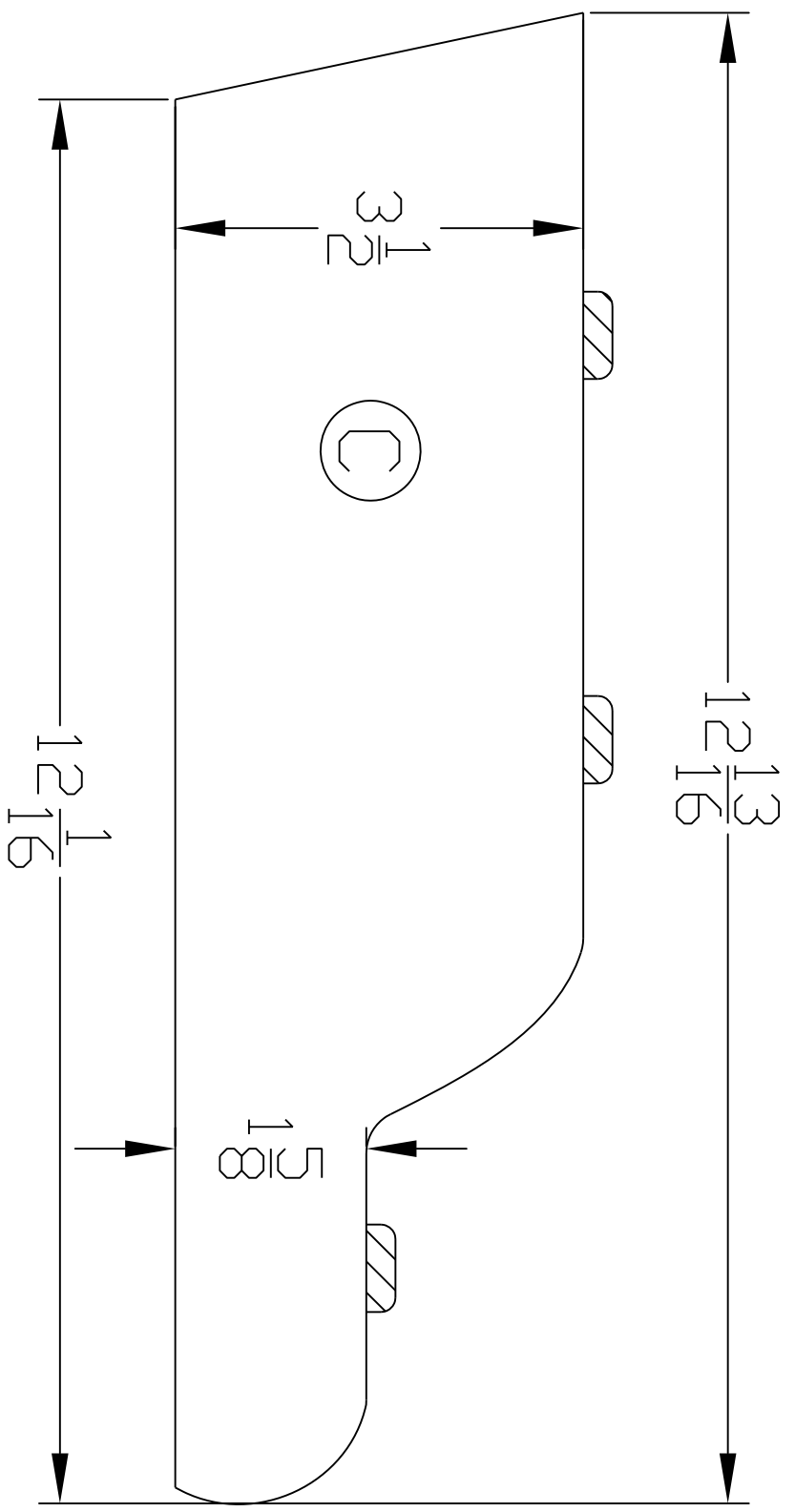
Traditional Woodworking.org

Horizontal Arm support

Traditional Woodworking.org			
Horizontal Arm support			
SIZE	FSCM NO.	DWG NO.	REV
A	N/A		
SCALE:	No Scale	SHEET	1

REVISIONS

ZONE	REV	DESCRIPTION	DATE	APPROVED
		Copy Right Free Plans	3/21/09	Bruce



dovetailed horizontal arm dimensions

Traditional Woodworking.org

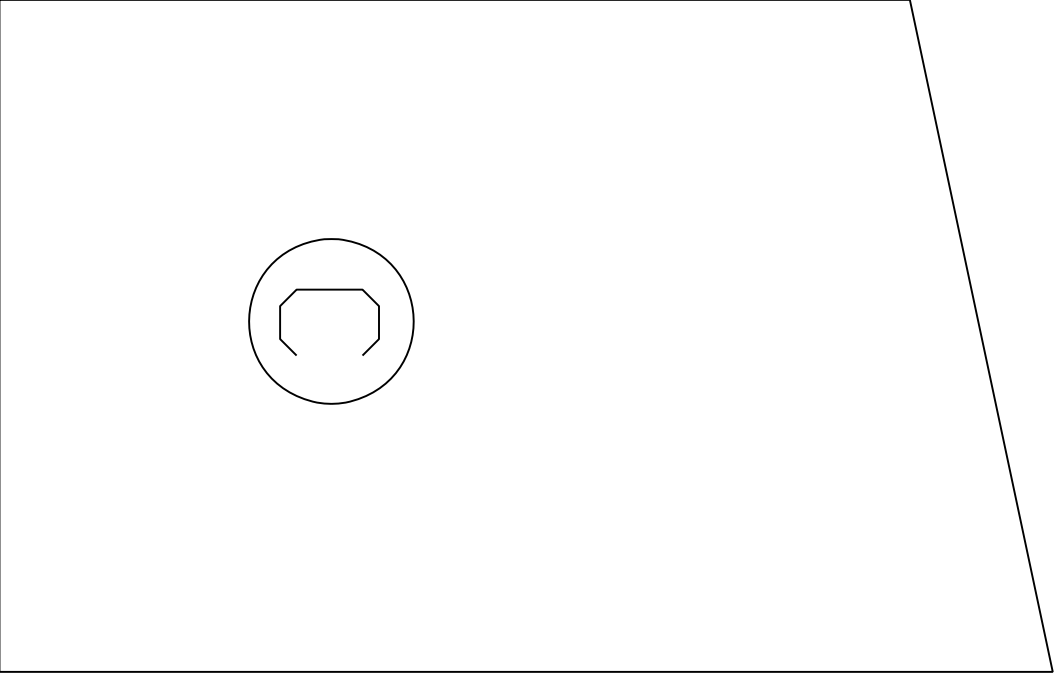
Horizontal Arm Support Dimensions

SCALE: No Scale		SHEET 1	
SIZE	FSCM NO.	DWG NO.	REV
A	N/A		

REVISIONS

ZONE	REV	DESCRIPTION: Copy Right Free Plans	DATE: 3/21/09	APPROVED: Bruce
------	-----	------------------------------------	---------------	-----------------

dovetailed post
horizontal arm
support



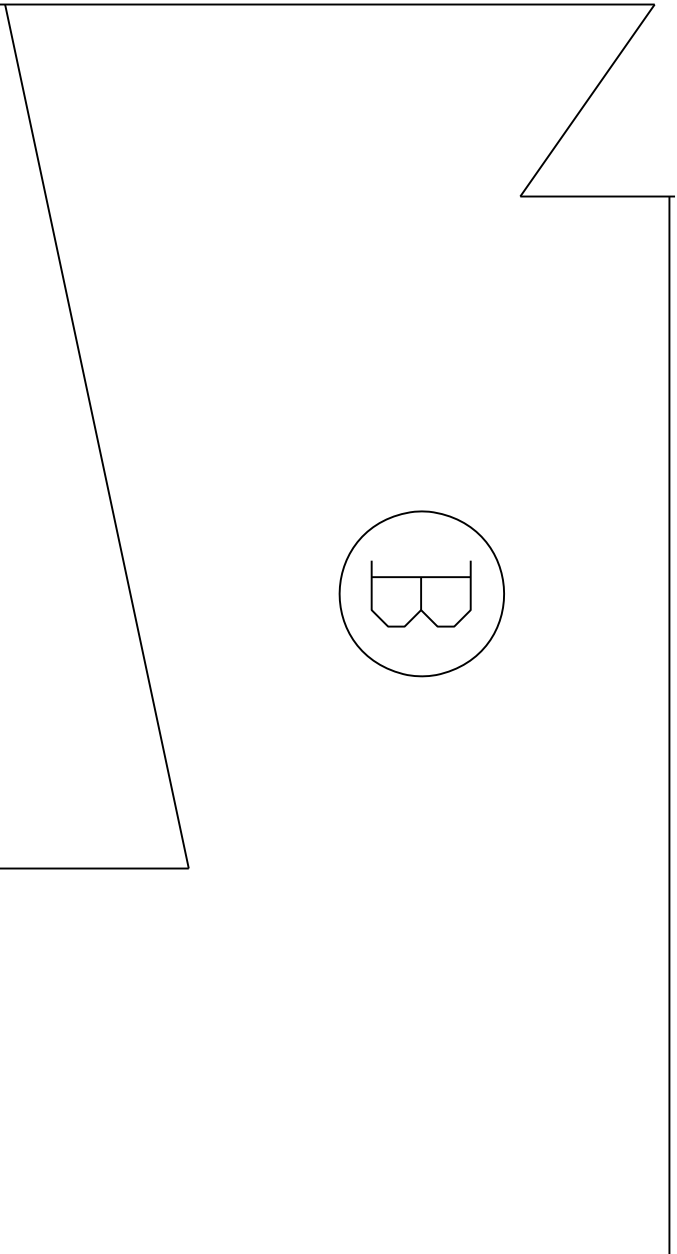
Traditional Woodworking.org

Post Horizontal Arm Support

SIZE	FSCM NO.	DWG NO.	REV
A	N/A		

REVISIONS

ZONE	REV	DESCRIPTION:	DATE:	APPROVED:
		Copy Right Free Plans	3/21/09	Bruce



dovetailed post horizontal
arm full size template

Traditional Woodworking.org

Dovetailed Post Horizontal Arm

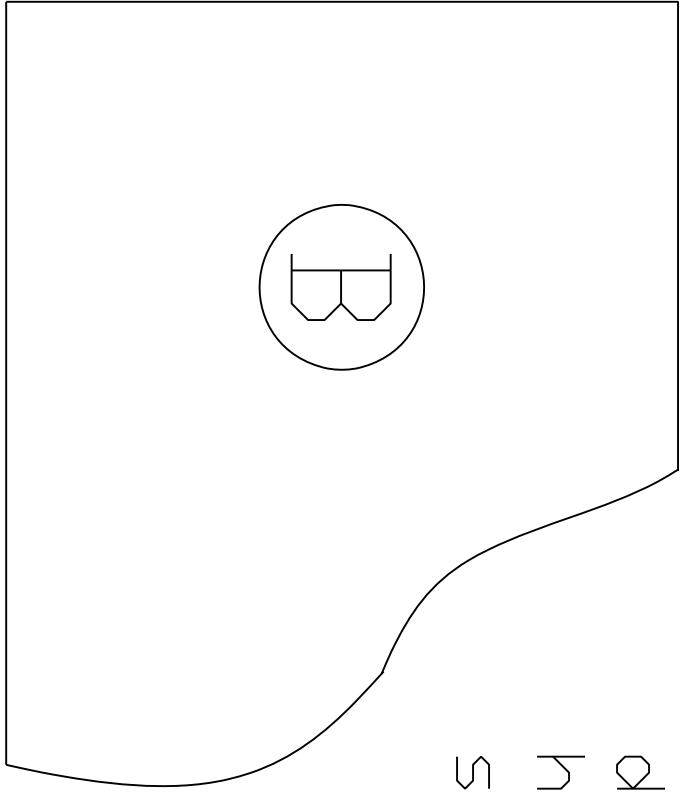
SIZE	FSCM NO.	DWG NO.	REV
A	N/A		

SCALE: No Scale SHEET 1

REVISIONS

ZONE	REV	DESCRIPTION:	DATE:	APPROVED:
		Copy Right Free Plans	3/21/09	Bruce

dovetailed post
horizontal arm
scrolled end template



Traditional Woodworking.org

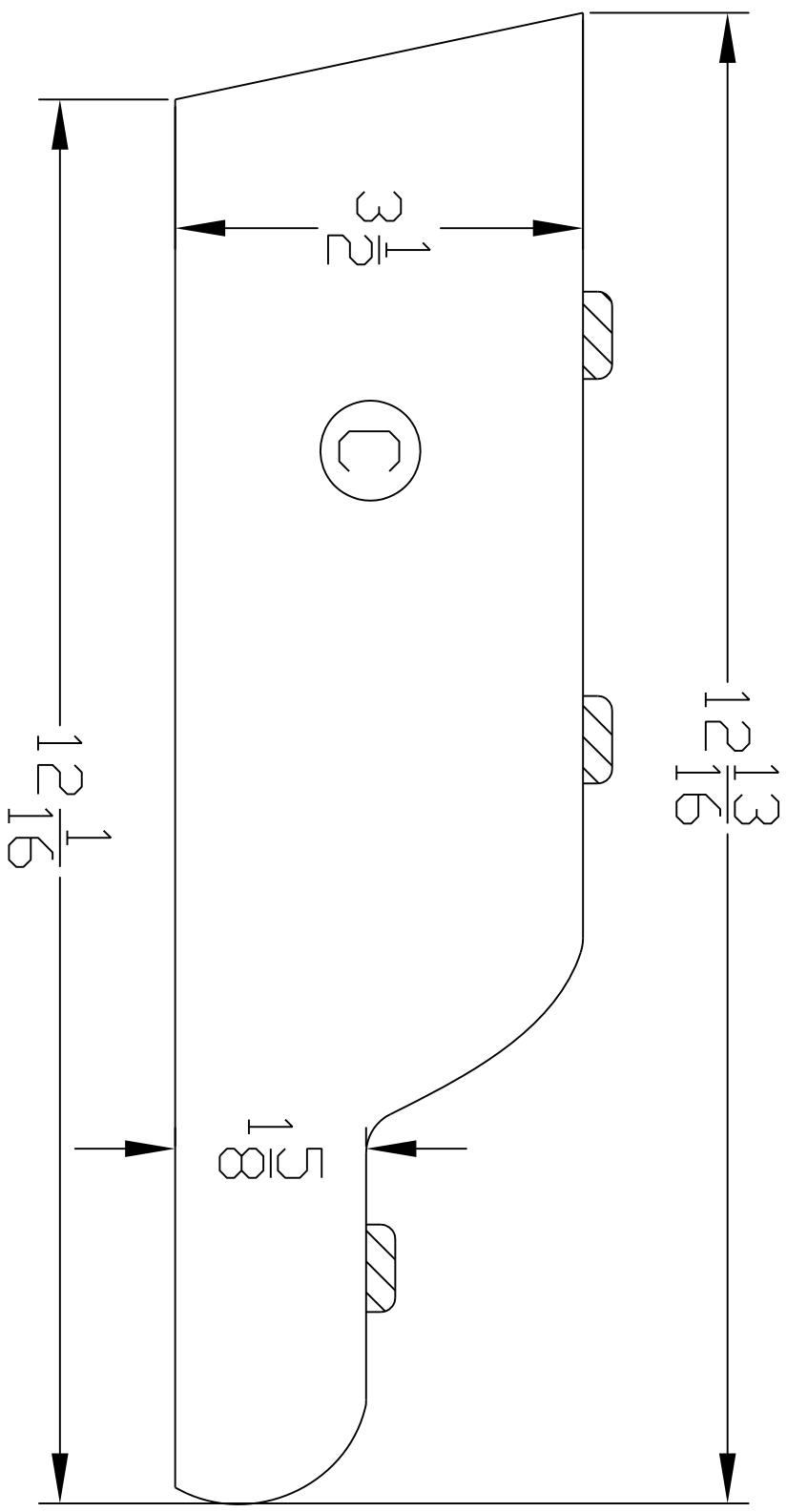
Horizontal Arm Scrolled Template

SIZE	FSCM NO.	DWG NO.	REV
A	N/A		

SCALE: Full Size Template SHEET 1

REVISIONS

ZONE	REV	DESCRIPTION	DATE	APPROVED
		Copy Right Free Plans	3/21/09	Bruce



dovetailed horizontal arm dimensions

Traditional Woodworking.org

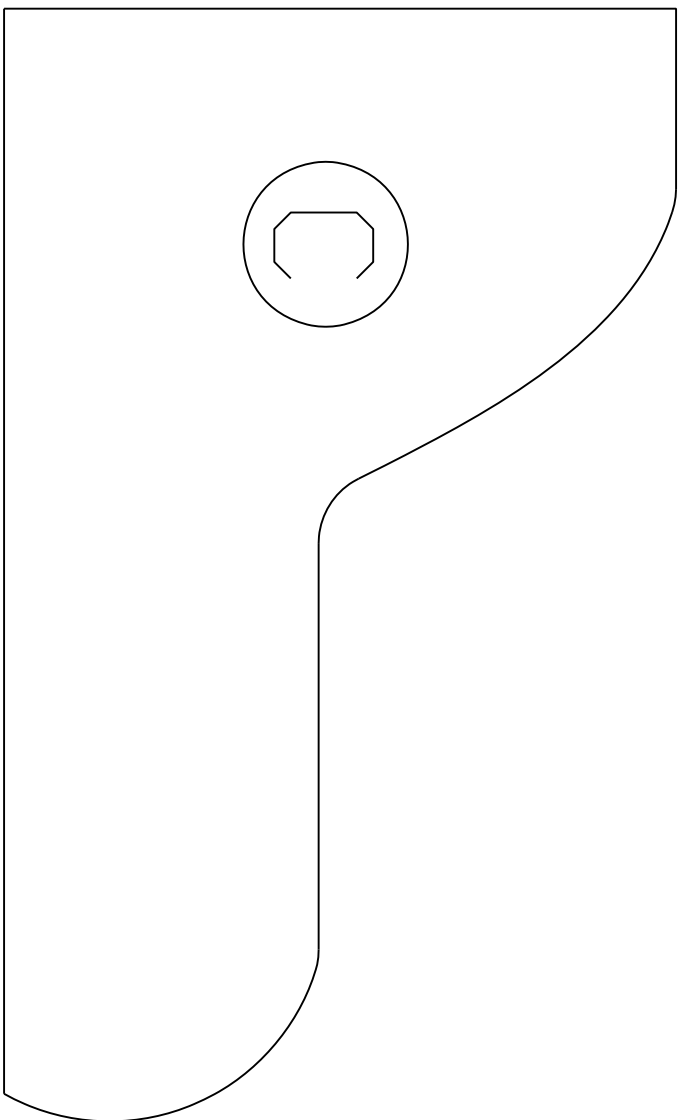
Horizontal Arm Support Dimensions

SIZE	FSCM NO.	DWG NO.	REV
A	N/A		

SCALE: No Scale SHEET 1

REVISIONS

ZONE	REV	DESCRIPTION: Copy Right Free Plans	DATE: 3/21/09	APPROVED: Bruce
------	-----	------------------------------------	---------------	-----------------



horizontal arm scroll full size template

Traditional Woodworking.org

Horizontal Arm Scrolled Template

SIZE	FSCM NO.	DWG NO.	REV
A	N/A		